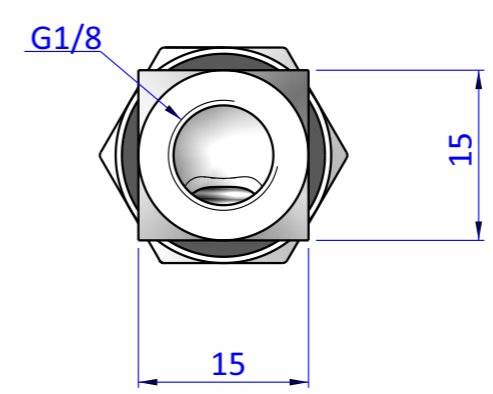
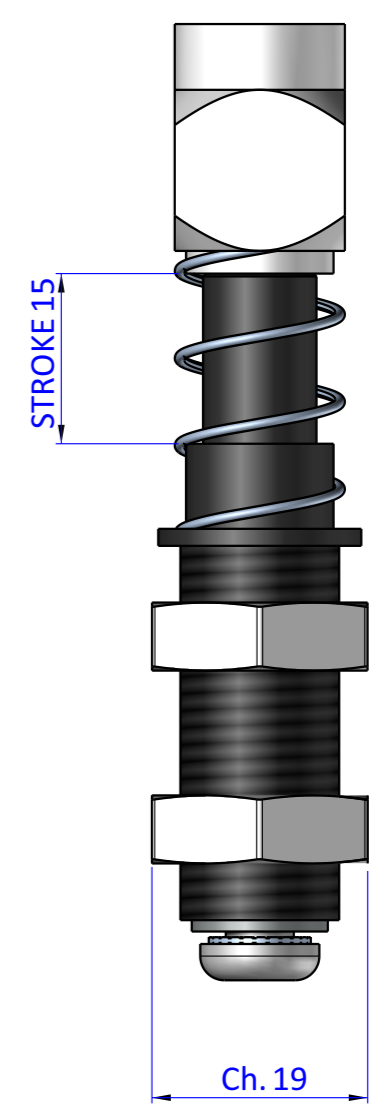
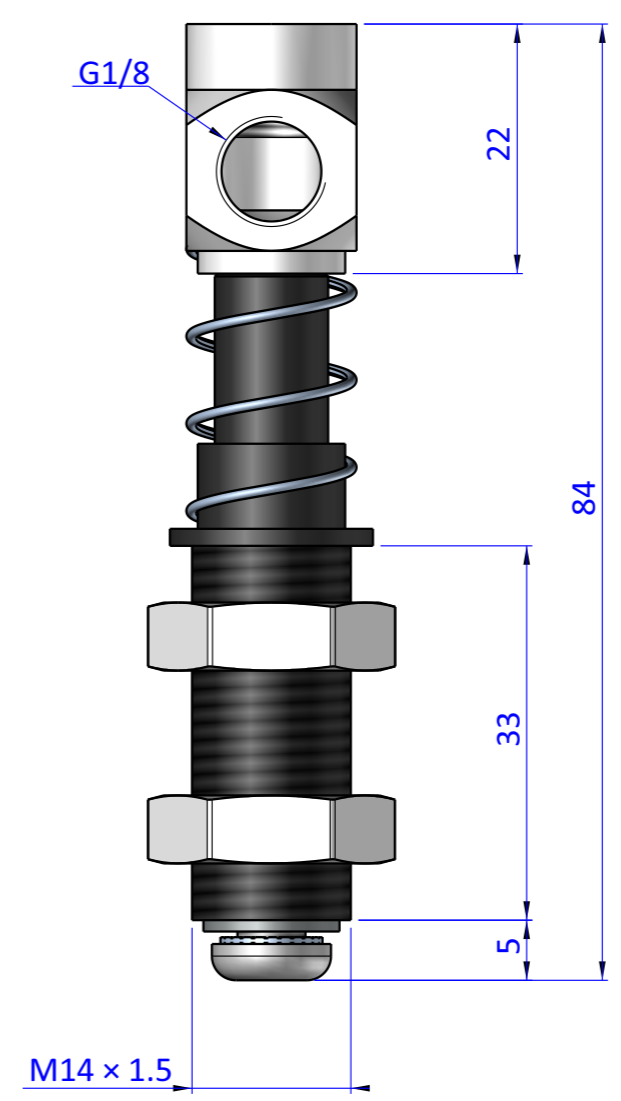
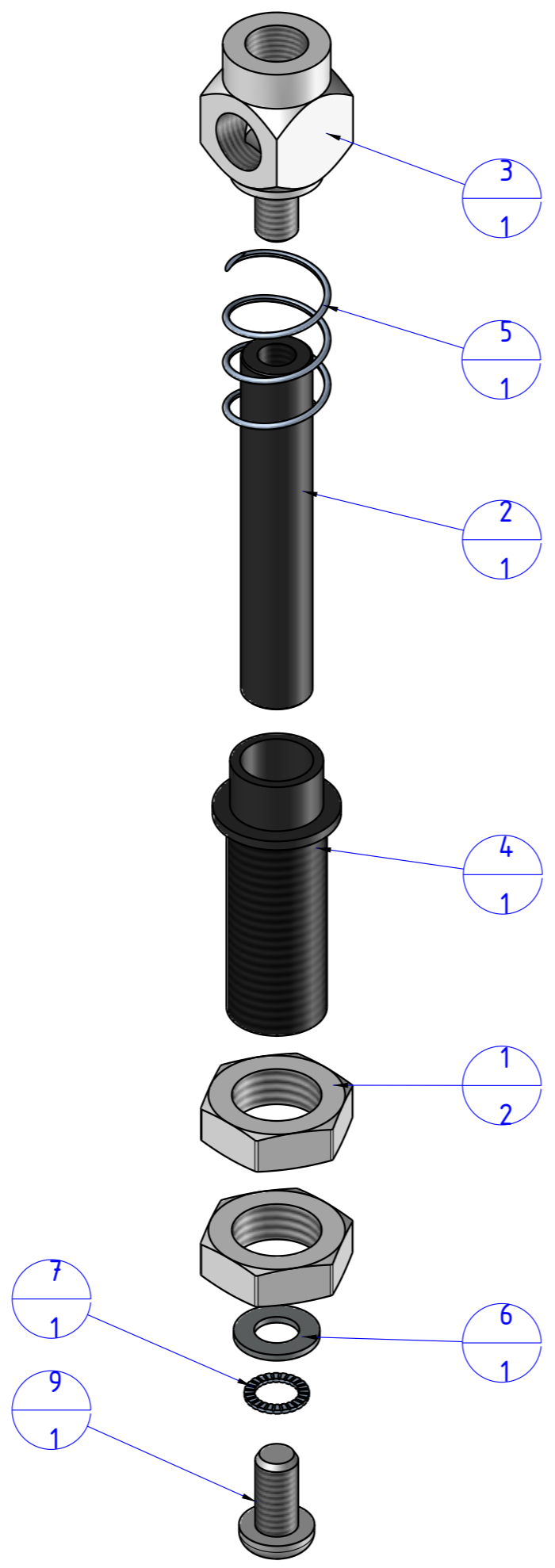



THE PROPERTY OF THE DRAWING IS ESTABLISHED BY LAW. IT IS FORBIDDEN TO PRODUCE OR SHOW IT TO THIRD PART. WITHOUT A WRITTEN AGREEMENT.

Item	Name	Qty.
1	05.01.001.06	2
2	GGD.14.15	1
3	GGD.14.18.18.1	1
4	GGDG.14.2	1
5	M.15X40	1
6	R.6	1
7	R.6.SCH	1
9	V.TBCE6X12.BUTT	1



Format A3
UNI 936-76

 FPS FPSERVICES AUTOMATION		DESIGNED FROM		REVIEW
		FPS Automation		A
GENERAL TOLERANCE		DATE		WEIGHT
UNI - ISO 2768		03/03/2021		0,038kg
CLASSE f		CODE		
		CA.GGDG.14181815		CA.GGDG.14181815